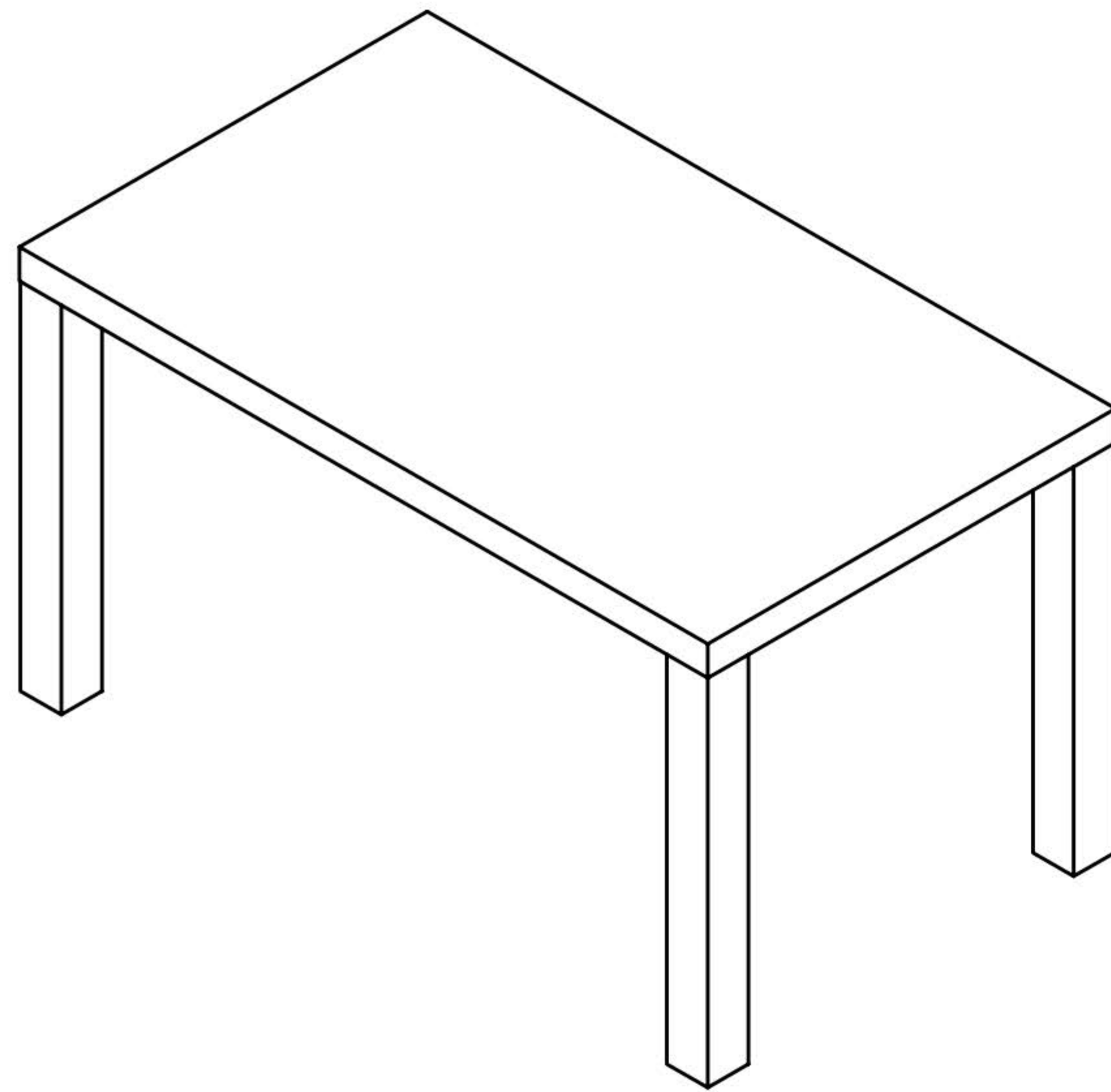


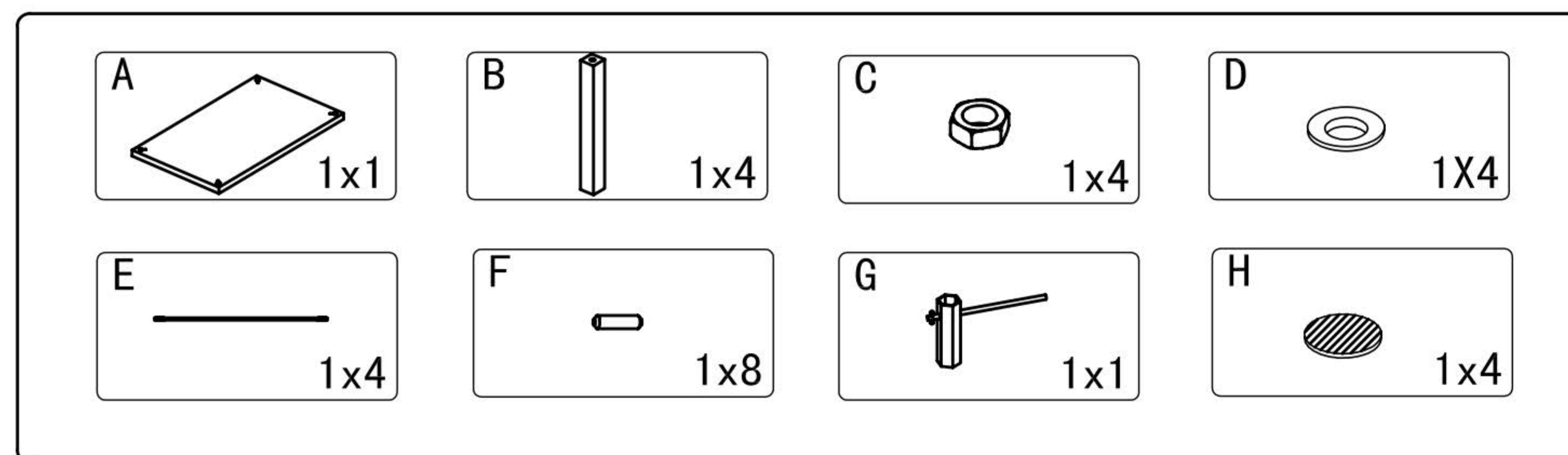
ASSEMBLY INSTRUCTIONS

DINING TABLE

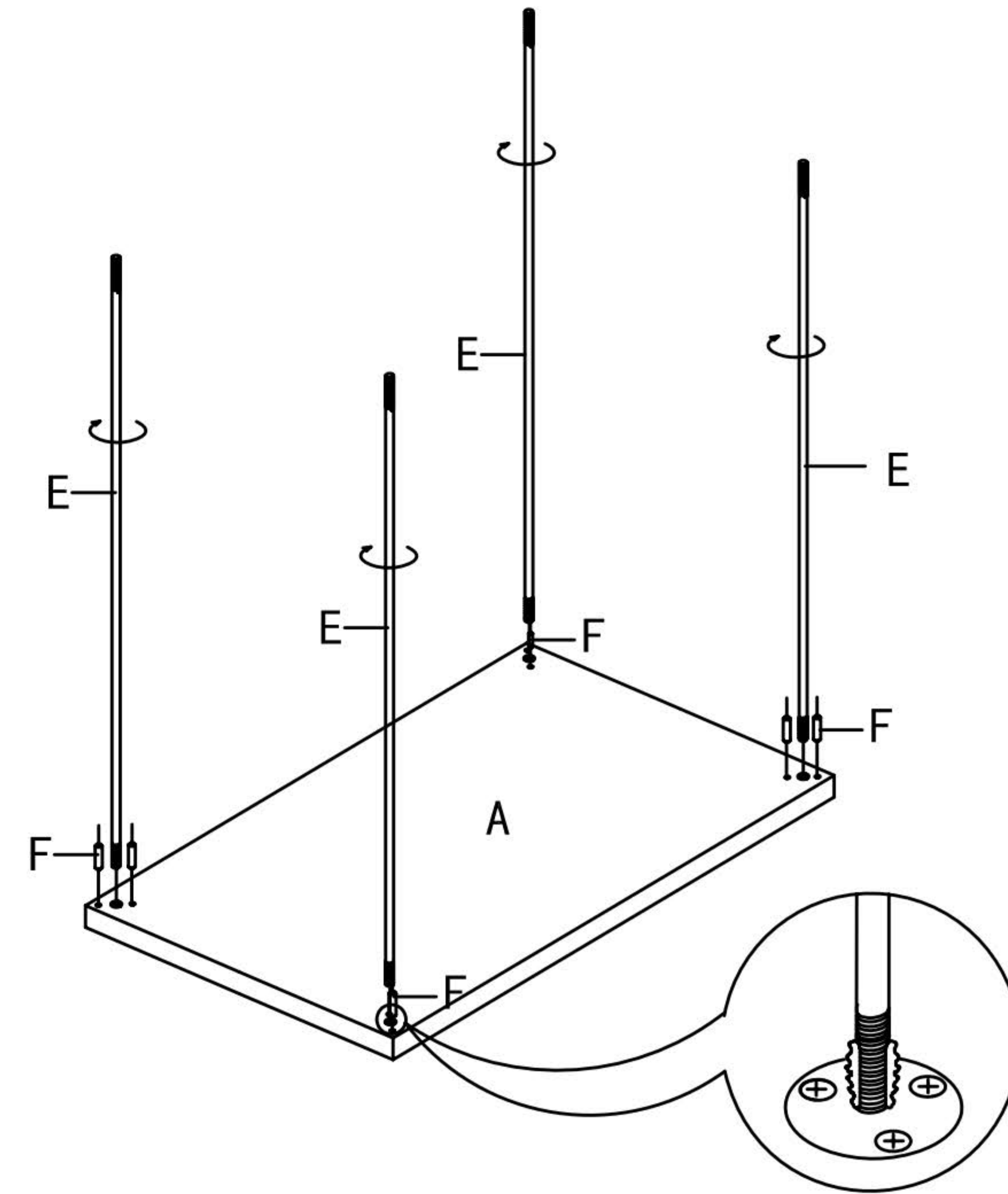
S.250.12 CUBIC 120



COMPONENTS:



①



②

